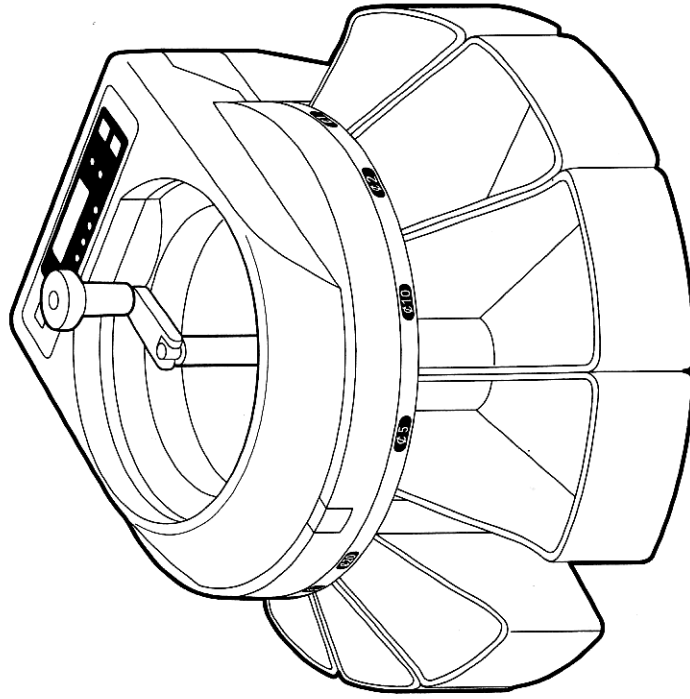


COIN SORTER GS100

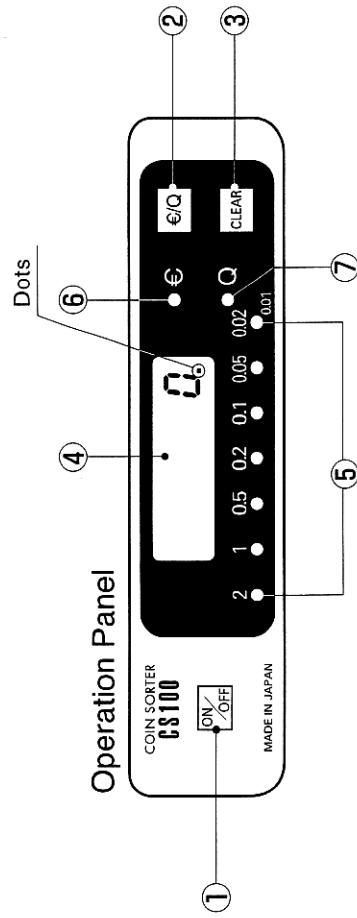
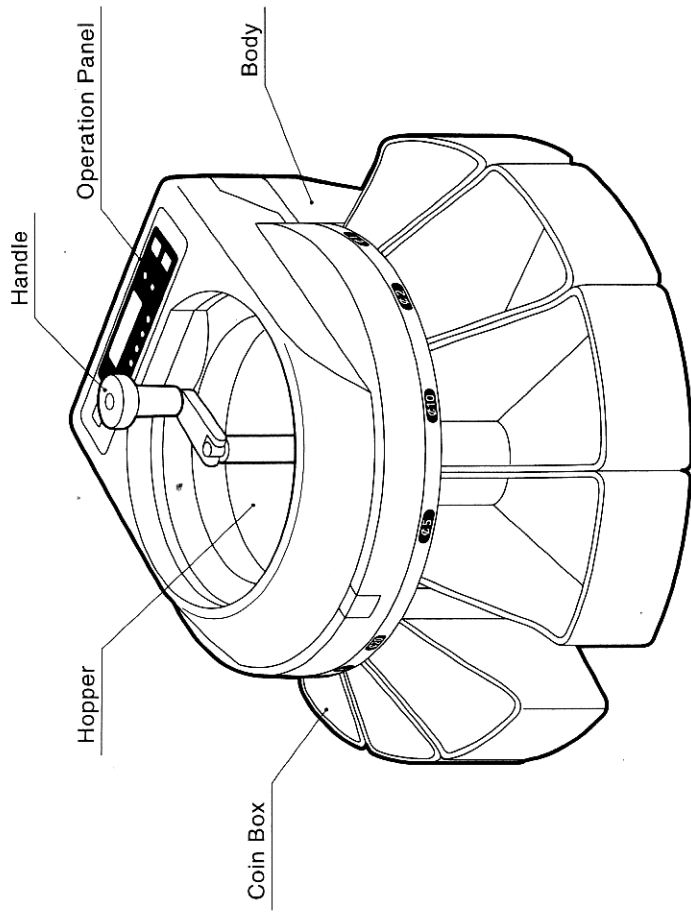
Operator Instruction Manual



- If debris and dust is mixed in with the coins, a count error might occur, so before placing the coins in the hopper, shake them in a tray or other container to separate the debris and dust from the coins.
- Counting errors might occur if the sensor becomes dirty.



Part Names



Explanation of Part Operation

① Power switch



This is the switch for turning on the Coin sorter. The power does not need to be turned off. The automatic power off function automatically turns the power off when the Coin sorter has not been used for 3 minutes.

② Display change key

This key is used to switch the count results display between the value (€) and the number of coins (Q), and to switch the value display or number of coins display between the total count and the count by coin denomination. Also, this key can be used to switch the count mode (coins/tokens) by pressing it at the same time the power is turned on.

③ Clear key

This key is used to clear the count value. When the key is pressed the count at that time is returned to zero (0).

④ Display

The 6-digit LED displays the count results, error codes, and remaining battery power. The count cannot exceed 999,999.

⑤ Coin denomination indicator LED

This LED lights up after the count is completed when the value (€) or number of coins (Q) by coin denomination is being displayed.

⑥ € indicator LED

This lights up when the value displayed in this part of the display is the value (€).

⑦ Q indicator LED

This lights up when the value displayed in this part of the display is the number of coins count (Q).

Operation Method

Counting coins

1. Place the coins in the hopper and press the power switch. At first, the dots in the display will be displayed for a short time to show the remaining battery power. As the battery power decreases the number of dots that light up decrease. "0" will then be displayed in the display and € will be displayed by the LED. If an error code is displayed, refer to the [Table of Error Codes](#).
2. Turn the handle to the right (clockwise) to begin counting the coins.
 - 1) If coins become jammed during counting, open the unit and remove the jammed coins from the hopper.
- ⚠ Caution** 2) Take out coins from plastic coin boxes before they overflow. Coins may be jammed and will not be sorted properly after any of the plastic coin boxes overflow.
3. Keep turning the handle until all the coins in the hopper are gone and the last coin has come out the coin outlet.
4. The total value (€) will be shown as □□□□□□ in the display. To display the total value by coin denomination, briefly (under 1 sec) press the **Display Change key**. The coin denomination indicator LED will change in the order of **2 → 1 → 0.5 → 0.2 → 0.1 → 0.05 → 0.02 → 0.01** (0.01 will be indicated by blinking of 0.02 LED) → **OFF** at which time the total value for each coin denomination will be displayed in that order (The total value for all coins is being displayed when the coin denomination indicator LED is off)
5. To change the count results to the number of coins (Q) display, press the **Display Change key** for over 1 sec. The Q indicator LED will light up and the display will change from the count value (€) to the number of coins (Q). To change to the display by coin denomination, use the procedure described in **4**.above.
6. To continuing counting, add more coins to the hopper and turn the handle to the right. In this case, the current count will be added to the previous count. To start a new count, press **Clear key** to return the display to **zero (0)**, and then start counting.
7. The corresponding LED will blink and beep for 5 seconds when each coin is counted every 50, 100 and 500 pieces.

Table of Error Codes

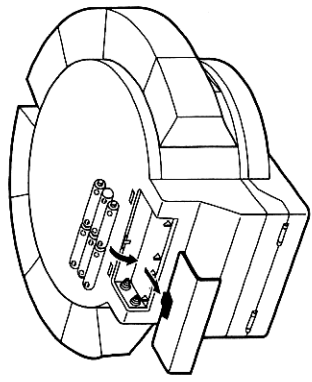
● If there is trouble with the Coin sorter or the settings are not correct, an error code will be displayed in the display area. Look up the error code in the following table and take the appropriate measures. If the error code does not turn off even when these measures are taken, contact an authorized dealer.

Table of Error Codes

Display	Meaning	Measures
E - 1	Sensor trouble	Call your dealer.
E - 2	Sensor trouble	Check if there is dust or debris on the dust cover and if any coins are still inside. Use a soft brush or cloth to remove dust and debris. If the error code does not disappear even though there is no dust or debris, the Coin Counter is out of order. Contact your authorized service dealer.
E - 9	Low battery voltage	Replace with new batteries. ※ When the last dot is flashing the E-9 error is about to be given.

Loading the Batteries

- Open the cover on the bottom of the Coin sorter and load the 6 AA batteries in the specified manner.
- ※ Manganese batteries have a short life and will not provide the desired performance. Be sure to use alkaline batteries.



⚠ Caution

If the batteries are not loaded in the correct manner the Coin sorter will not operate.



5-6-14 TANIMACHI, CHUO-KU
 OSAKA 540-0012, JAPAN
 TEL: +81-6-6768-7791
 FAX: +81-6-6764-5756